



EXCEL ENGINEERING COLLEGE
(Autonomous)

Approved by AICTE, New Delhi & Affiliated to Anna University, Chennai
Accredited by NBA (AERO, MECH, CSE & ECE), NAAC with "A+" and Recognised by UGC (2f & 12B)
KOMARAPALAYAM - 637303

Ref: EEC/AERO /VAC/2022-23/01

Date: 06.09.2022

CIRCULAR

Department of Aeronautical Engineering is planned to conduct Value added course on "22AVAC01 Design of Aircraft External Structure" from 14.09.2022 to 17.09.2022 in AERO CAD LAB. Interested students are directed to enroll their name to the respective course coordinator on or before 10.09.2022.


Course Coordinator


HOD 06/09/2022

To:

Notice Board

Copy to:

1. Chairman / Vice Chairman
2. Principal
3. HOD File
4. Academic Coordinator



(Autonomous)

Approved by AICTE, New Delhi & Affiliated to Anna University, Chennai

Accredited by NBA (AERO, MECH, CSE & ECE), NAAC with "A+" and Recognized by UGC (2f & 12B)

KOMARAPALAYAM - 637303

DEPARTMENT OF AERONAUTICAL ENGINEERING ACADEMIC YEAR 2022-23

ORGANIZING A VALUE ADDED COURSE FOR AERONAUTICAL STUDENTS

TOPIC: **HANDS ON TRAINING ON DESIGN OF COMPONENTS OF AIRCRAFT ENGINE**

MODULES COVERED IN THE COURSE:

- ❖ Sketcher
- ❖ Part Design
- ❖ Assembly
- ❖ Drafting
- ❖ Surface modelling

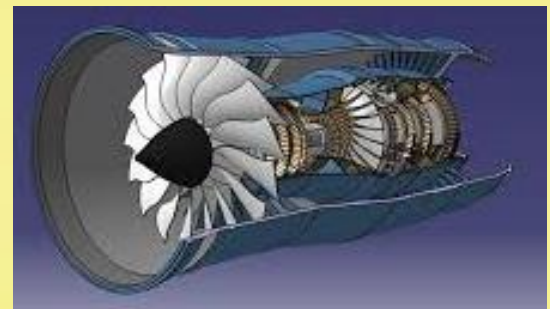


Course Duration

30 Hours

Date: 15.10.2022 to

18.10.2022

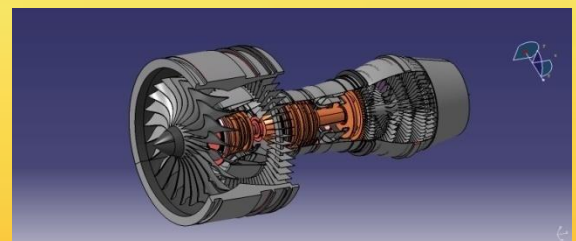


Venue :AERO CAD LAB

Course handled By

Mr. N Sreenivasaraja

Mr. S Karthik





EXCEL ENGINEERING COLLEGE

(Autonomous)

Approved by AICTE, New Delhi & Affiliated to Anna University, Chennai
Accredited by NBA, NAAC with "A+" and Recognised by UGC (2f & 12B)
KOMARAPALAYAM - 637303

Code: 22AVAC01

Title: Design of Aircraft External Structure

Course Outcome:

CO1: To learn technical information on drawing the sketch

CO2: Able to apply graphical representation of Industrial drawings

CO3: To identify the standards of drawings and mechanism used in aircrafts

CO4: Allow the students explore the ideas about aircraft drawings

CO5: To know the terms and policies of aircraft components

Course Objective:

1. Learn about the regularity basis of graphical representation of aircraft structure
2. Know about the expression and communication of design around aircraft structures
3. Use of practical concepts of aircraft structural components
4. Describe about the current terminologies on designing the components
5. Availability of scientific technological framework about the aircraft drawings

SPD/ho
9/9/2022



EXCEL ENGINEERING COLLEGE

(Autonomous)

Approved by AICTE, New Delhi & Affiliated to Anna University, Chennai
Accredited by NBA (AERO, MECH, CSE & ECE), NAAC with "A+" and Recognised by UGC (2f & 12B)
KOMARAPALAYAM - 637303

DEPARTMENT OF AERONAUTICAL ENGINEERING

ACADEMIC YEAR 2022-23

VALUE ADDED COURSE – DESIGN OF AIRCRAFT EXTERNAL STRUCTURE

COURSE PLAN

Course Coordinator: Mr.J.Senthil Kumar, AP/Aero

| S.No. | DESCRIPTION | ALLOTTED HOURS | | COURSE INSTRUCTOR |
|-------|---|----------------|-----------|---------------------|
| | | THEORY | PRACTICAL | |
| 1. | SOLID WORKS as a CAD software | 1 | | J.Senthil Kumar |
| 2. | Profile toolbar | 1 | 2 | J.Senthil Kumar |
| 3. | sketch tools | 1 | 1 | J.Senthil Kumar |
| 4. | Modeling of Machined component | | 2 | J.Senthil Kumar |
| 5. | Datum Features | | 1 | Dr. S.P. Venkatesan |
| 6. | Modelling of fuselage and cockpit | | 1 | J.Senthil Kumar |
| 7. | Practice session | | 1 | J.Senthil Kumar |
| 8. | Practice session | | 1 | Dr. S.P. Venkatesan |
| 9. | Transformation (Translation, Mirror, Scaling, Affinity) | | 2 | Dr. S.P. Venkatesan |
| 10. | Multibody concept (Boolean Operations) | | 1 | J.Senthil Kumar |
| 11. | Advance Features | | 1 | J.Senthil Kumar |
| 12. | Modelling of wing and tail | 1 | 2 | J.Senthil Kumar |
| 13. | Practice session | | 1 | Dr. S.P. Venkatesan |
| 14. | Practice session | | 1 | Dr. S.P. Venkatesan |
| 15. | Surfacing Modeling based Plastic | | 1 | J.Senthil Kumar |

| | Component | | | |
|-----|--------------------------|---|---|---------------------|
| 16. | Surfacing | | 2 | J.Senthil Kumar |
| 17. | Advanced Surfacing | | 1 | J.Senthil Kumar |
| 18. | Modelling of aft section | | 1 | Dr. S.P. Venkatesan |
| 19. | Introduction to Assembly | 1 | 1 | Dr. S.P. Venkatesan |
| 20. | Practice session | | 1 | J.Senthil Kumar |
| 21. | Practice session | | 1 | J.Senthil Kumar |

Total Hours to be handled:

Theory : 5

Practical : 25

Total : 30


Course Coordinator


HOD/Aero 9/9/2022



EXCEL ENGINEERING COLLEGE (Autonomous)

Approved by AICTE, New Delhi & Affiliated to Anna University, Chennai

Accredited by NBA (AERO, MECH, CSE & ECE), NAAC with "A+" and Recognised by UGC (2f & 12B)

KOMARAPALAYAM – 637303

Value Added Course - Design of Aircraft External Structure

Academic Year 2022-23- Enrollment List

| S.No. | Register Number | Name | Signature |
|-------|-----------------|------------------------|-------------------------|
| 1 | 730919101002 | ABINANTHAN S | Abinathan S |
| 2 | 730919101003 | AFTAB S | AFTAB S |
| 3 | 730919101005 | AJAIKISHORE T | Ajai Kishore T |
| 4 | 730919101007 | AKASH E | Akash E |
| 5 | 730919101008 | AKHIL JOSE | Akhil Jose |
| 6 | 730919101009 | AKSHAYA KUMARAN P | Akshaya Kumaran P |
| 7 | 730919101010 | AMAAN NASIM | Amaan Nasim |
| 8 | 730919101012 | ANTONY BESKIN A | Antony Beskin A |
| 9 | 730919101013 | ANWAR BASHA B K | Anwar Basha B K |
| 10 | 730919101014 | ARAVIND M | Aravind M |
| 11 | 730919101015 | ARULKUMAR S | Arul Kumar S |
| 12 | 730919101016 | ASIF EQUBAL ANSARI | Asif Ansari |
| 13 | 730919101017 | BHAGIYA PRASAD A | Bhagiyas Prasad A |
| 14 | 730919101018 | BIJOY KRISHNA GUCHHAIT | Bijoy Krishna Guchhait |
| 15 | 730919101021 | CHANDHIRAN B | Chandhiran B |
| 16 | 730919101022 | DHINESH S | Dhinesh S |
| 17 | 730919101023 | ELAVARASAN K | Elavarasan K |
| 18 | 730919101024 | GNANASEKAR M | Gnanasekar M |
| 19 | 730919101025 | GUHAN N | Guhan N |
| 20 | 730919101026 | GUNA M | Guna M |
| 21 | 730919101027 | GUNAL R | Gunjal R |
| 22 | 730919101028 | HARIPRASAD S V | Hari Prasad S V |
| 23 | 730919101030 | IRSHAD ALI | Irshad Ali |
| 24 | 730919101031 | IYAPPAN R | Iyappan R |
| 25 | 730919101032 | JAIKISHORE S | Jai Kishore S |
| 26 | 730919101033 | JANMEJAY KUMAR CHAUBEY | Janmejaya Kumar Chaubey |
| 27 | 730919101034 | JEEVA R | Jeeva R |
| 28 | 730919101035 | JEEVANANDHAM M | Jeevanandham M |
| 29 | 730919101036 | JEEVANTHINI M | Jeevanthini M |
| 30 | 730919101037 | JOTHIPRASANTH M | Jothiprasanth M |
| 31 | 730919101038 | JYOTI RANJAN | Jyoti Ranjan |
| 32 | 730919101039 | KALPANA SOUTHRI M | Kalpana Southri M |

| | | | |
|----|--------------|----------------------------|--------------------------|
| 33 | 730919101040 | KARTHI S | Karthi S |
| 34 | 730919101041 | KAVYA M | Kavya M |
| 35 | 730919101042 | KOUSHIK SHEE | (B.O) Shee |
| 36 | 730919101043 | LAL KRISHNA V | Lal krishna V |
| 37 | 730919101044 | MAHESWARAN R | Maheswaran R |
| 38 | 730919101045 | MANI S | Mani S |
| 39 | 730919101047 | MANISH KUMAR DUBEY | Manish Kumar Dube |
| 40 | 730919101048 | MANOJ RASAILY | Manoj Rasaily |
| 41 | 730919101049 | M.D. FAIZAN | M.D. Faizan |
| 42 | 730919101052 | MD TARIQUE MAHMOOD | MD Tarique Mahmood |
| 43 | 730919101051 | MD.SHAHADAB HOSSAIN SHANTO | MD Shadab Hossain Shanto |
| 44 | 730919101053 | MILAN ANEESH | Milan Anesh |
| 45 | 730919101054 | MITHUN M | Mithun M |
| 46 | 730919101056 | MOHAMMED MOIN | Mohammed Moin |
| 47 | 730919101057 | MOHAMMED RINSHAD V | Mohammed Rinshad V |
| 48 | 730919101058 | MOHAMMED SUFIYAN ZABI | Mohammed Sufiyam Z |
| 49 | 730919101055 | MOHAMMED YUSUF | Mohammed Yusuf |
| 50 | 730919101059 | MONISH G | Monisha G |
| 51 | 730919101060 | MOUNIKA P | Mounika P |
| 52 | 730919101004 | AHAD ALI S K | Ahad Ali S K |
| 53 | 730919101061 | MUHAMMED FAROOQUE K | Muhammed Farooque K |
| 54 | 730919101062 | NAKKALA SRINIVASA RAO | Nakkala Srinivasa Rao |
| 55 | 730919101063 | NAVEEN KUMAR R | Naveen Kumar R |
| 56 | 730919101064 | NIRANJAN N | Niranga N |
| 57 | 730919101065 | NIRMAL BENNY | Nirmal Benny |
| 58 | 730919101066 | NOBY PRINCE R | Noby Prince R |
| 59 | 730919101068 | OWAIS SADR | Owaish Sadr |
| 60 | 730919101069 | POOJA P M | Pooja P M |
| 61 | 730919101070 | PRADEEP M | Pradeep M |
| 62 | 730919101074 | PRITHIVIRAJ K | Prithiviraj K |
| 63 | 730919101078 | RAHULRAHAVENDRAN M | Rahulrahavendran M |
| 64 | 730919101079 | RAJU MEER | Raju Meer |
| 65 | 730919101081 | RAM PRATAP MAHATO | Ram Pratap Mahato |
| 66 | 730919101080 | RAMESH M | Ramesh M |
| 67 | 730919101083 | RANJITH KUMAR A | Ranjith Kumar A |
| 68 | 730919101082 | RANJITH M | Ranjith M |
| 69 | 730919101084 | RAVIRAJ PANDEY | Raviraj Pandey |
| 70 | 730919101086 | SAMARJITH SINGH S | Samarjith Singh S |
| 71 | 730919101089 | SANTOSH PRAKASH | Santosh Prakash |
| 72 | 730919101090 | SARAN R | Saran R |
| 73 | 730919101092 | SETHUPATHI S | Sethu Pathi S |
| 74 | 730919101093 | SHAMS ALTAMASH ANSARI | Shams Altamash Ansari |
| 75 | 730919101095 | SHANMUGA SUNDARAM A | Shanmuga Sundaram A |
| 76 | 730919101094 | SHANMUGAPRIYAN K | Shanmugapriyan K |
| 77 | 730919101096 | SIVANESAN K | Sivanesan K |

| | | | |
|-----|--------------|-----------------------|-----------------------|
| 78 | 730919101097 | SOMASUNDARAM R | P. Somasundaram |
| 79 | 730919101098 | SOURMYADIP SHIT | Sourmyadip Shit |
| 80 | 730919101099 | SOURAV BISWAS | Sourav Biswas |
| 81 | 730919101100 | SUBASH DHAKAL | Subash Dhakal |
| 82 | 730919101101 | SUDIP DHAKAL | Sudip Dhakal |
| 83 | 730919101102 | SUPRIYA S | Supriya S |
| 84 | 730919101103 | SURAJ ADHIKARI | Suraj Adhikari |
| 85 | 730919101104 | SURYA S | Surya S |
| 86 | 730919101105 | SWETHA D | Swetha D |
| 87 | 730919101106 | SWETHA T | T. Swetha |
| 88 | 730919101107 | SYED ABHAJAL PEER | Syed Abhajal Peer |
| 89 | 730919101108 | SYED JUNAID AHMED | Syed Junaid Ahmed |
| 90 | 730919101109 | THAMIZHARASAN G | Thamizharasan G |
| 91 | 730919101110 | VANATHI M | Vanathi M |
| 92 | 730919101111 | VARUNKUMAR S | Varunkumar S |
| 93 | 730919101113 | VIGNESH T | Vignesh T |
| 94 | 730919101115 | VIJAY KAMESH B | Vijay Kamesh B |
| 95 | 730919101114 | VIJAYAN S | Vijayan S |
| 96 | 730919101116 | VIVEKA K | Viveka K |
| 97 | 730919101117 | VIZHIYARASU T | Vizhiyarasu T |
| 98 | 730919101301 | AFRITHI S | Afrithi S |
| 99 | 730919101302 | AJITH V | Ajith V |
| 100 | 730919101303 | ARIVUSELVAN A | A Arivuselvan |
| 101 | 730919101304 | JITHINMON J | Jithinmon J |
| 102 | 730919101305 | LALITHA S | Lalitha S |
| 103 | 730919101306 | MOHAMMED YOUNUS | Md. Younus |
| 104 | 730920101003 | ADITYA SINGH | Aditya Singh |
| 105 | 730920101005 | AMAN ARYAN | Aman Aryan |
| 106 | 730920101010 | CHITTALURU PRAVEEN | Chittaluru Praveen |
| 107 | 730920101012 | GAJADHAR KUMAR SAHANI | Gajadhar Kumar Sahani |
| 108 | 730920101024 | MANIKANDAN S | Manikandan S |
| 109 | 730920101026 | MANOHARAN D | Manoharan D |
| 110 | 730920101030 | NAVEENKUMAR A | Naveenkumar A |
| 111 | 730920101032 | NISHA C | Nisha C |
| 112 | 730920101033 | NISHANTH S | Nishanth S |
| 113 | 730920101039 | SAHAJ SABHARWAL | Sahaj Sabharwal |
| 114 | 730920101040 | SANDEEP RAJ | Sandeep Raj |
| 115 | 730920101041 | SANTHAKUMAR P | Santhakumar P |
| 116 | 730920101043 | SAVARINATHAN K | Savarinathan K |
| 117 | 730920101044 | SHARMINI R | Sharmini R |
| 118 | 730920101045 | SHIVAM RAJ | Shivam Raj |
| 119 | 730920101047 | SIVASUBRAMANIYAN B | B. Siva Subramanian |
| 120 | 730920101048 | SUGANTHI U | Suganthi U |
| 121 | 730920101049 | SUSHIL SINGH | Sushil Singh |
| 122 | 730920101050 | TANVEER NADAF | Tanveer Nadaf |
| 123 | 730920101051 | THARUNKUMAR L | L. Tharunkumar |

| | | | |
|-----|--------------|-----------------|------------------|
| 124 | 730920101052 | VENUGOPALAN N | N. Venugopalay |
| 125 | 730920101308 | NAVEENKUMAR R S | R.S. Naveenkumar |
| 126 | 730920101309 | NAVIN KUMAR S T | ST. Navin Kumar |
| 127 | 730920101311 | SYED SOHAIL | Syed Sohail |

S. S. Naveenkumar

| | | | | | | | | | | |
|----|--------------|----------------------------|---|---|---|---|---|---|---|---|
| 31 | 730919101038 | JYOTI RANJAN | / | / | / | / | / | / | / | / |
| 32 | 730919101039 | KALPANA SOUTHRI M | / | / | / | / | / | / | / | / |
| 33 | 730919101040 | KARTHI S | / | / | / | / | / | / | / | / |
| 34 | 730919101041 | KAVYA M | / | / | / | / | / | / | / | / |
| 35 | 730919101042 | KOUSHIK SHEE | / | / | / | / | / | / | / | / |
| 36 | 730919101043 | LAL KRISHNA V | / | / | / | / | / | / | / | / |
| 37 | 730919101044 | MAHESWARAN R | / | / | / | / | / | / | / | / |
| 38 | 730919101045 | MANI S | / | / | / | / | / | / | / | / |
| 39 | 730919101047 | MANISH KUMAR DUBEY | / | / | / | / | / | / | / | / |
| 40 | 730919101048 | MANOJ RASAILY | / | / | / | / | / | / | / | / |
| 41 | 730919101049 | M.D. FAIZAN | / | / | / | / | / | / | / | / |
| 42 | 730919101052 | MD TARIQUE MAHMOOD | / | / | / | / | / | / | / | / |
| 43 | 730919101051 | MD.SHAHADAB HOSSAIN SHANTO | / | / | / | / | / | / | / | / |
| 44 | 730919101053 | MILAN ANEESH | / | / | / | / | / | / | / | / |
| 45 | 730919101054 | MITHUN M | / | / | / | / | / | / | / | / |
| 46 | 730919101056 | MOHAMMED MOIN | / | / | / | / | / | / | / | / |
| 47 | 730919101057 | MOHAMMED RINSHAD V | / | / | / | / | / | / | / | / |
| 48 | 730919101058 | MOHAMMED SUFIYAN ZABI | / | / | / | / | / | / | / | / |
| 49 | 730919101055 | MOHAMMED YUSUF | / | / | / | / | / | / | / | / |
| 50 | 730919101059 | MONISH G | / | / | / | / | / | / | / | / |
| 51 | 730919101060 | MOUNIKA P | / | / | / | / | / | / | / | / |
| 52 | 730919101004 | AHAD ALI S K | / | / | / | / | / | / | / | / |
| 53 | 730919101061 | MUHAMMED FAROOQUE K | / | / | / | / | / | / | / | / |
| 54 | 730919101062 | NAKKALA SRINIVASA RAO | / | / | / | / | / | / | / | / |
| 55 | 730919101063 | NAVEEN KUMAR R | / | / | / | / | / | / | / | / |
| 56 | 730919101064 | NIRANJAN N | / | / | / | / | / | / | / | / |
| 57 | 730919101065 | NIRMAL BENNY | / | / | / | / | / | / | / | / |
| 58 | 730919101066 | NOBY PRINCE R | / | / | / | / | / | / | / | / |
| 59 | 730919101068 | OWAIS SADR | / | / | / | / | / | / | / | / |
| 60 | 730919101069 | POOJA P M | / | / | / | / | / | / | / | / |
| 61 | 730919101070 | PRADEEP M | / | / | / | / | / | / | / | / |
| 62 | 730919101074 | PRITHIVIRAJ K | / | / | / | / | / | / | / | / |
| 63 | 730919101078 | RAHULRAHAVENDRAN M | / | / | / | / | / | / | / | / |
| 64 | 730919101079 | RAJU MEER | / | / | / | / | / | / | / | / |
| 65 | 730919101081 | RAM PRATAP MAHATO | / | / | / | / | / | / | / | / |
| 66 | 730919101080 | RAMESH M | / | / | / | / | / | / | / | / |
| 67 | 730919101083 | RANJITH KUMAR A | / | / | / | / | / | / | / | / |
| 68 | 730919101082 | RANJITH M | / | / | / | / | / | / | / | / |
| 69 | 730919101084 | RAVIRAJ PANDEY | / | / | / | / | / | / | / | / |
| 70 | 730919101086 | SAMARJITH SINGH S | / | / | / | / | / | / | / | / |
| 71 | 730919101089 | SANTOSH PRAKASH | / | / | / | / | / | / | / | / |

| | | | | | | | | | | |
|-----|--------------|-----------------------|---|---|---|---|---|---|---|---|
| 72 | 730919101090 | SARAN R | / | / | / | / | / | / | / | / |
| 73 | 730919101092 | SETHUPATHI S | / | / | / | / | / | / | / | / |
| 74 | 730919101093 | SHAMS ALTAMASH ANSARI | / | / | / | / | / | / | / | / |
| 75 | 730919101095 | SHANMUGA SUNDARAM A | / | / | / | / | / | / | / | / |
| 76 | 730919101094 | SHANMUGAPRIYAN K | / | / | / | / | / | / | / | / |
| 77 | 730919101096 | SIVANESAN K | / | / | / | / | / | / | / | / |
| 78 | 730919101097 | SOMASUNDARAM R | / | / | / | / | / | / | / | / |
| 79 | 730919101098 | SOUMYADIP SHIT | / | / | / | / | / | / | / | / |
| 80 | 730919101099 | SOURAV BISWAS | / | / | / | / | / | / | / | / |
| 81 | 730919101100 | SUBASH DHAKAL | / | / | / | / | / | / | / | / |
| 82 | 730919101101 | SUDIP DHAKAL | / | / | / | / | / | / | / | / |
| 83 | 730919101102 | SUPRIYA S | / | / | / | / | / | / | / | / |
| 84 | 730919101103 | SURAJ ADHIKARI | / | / | / | / | / | / | / | / |
| 85 | 730919101104 | SURYA S | / | / | / | / | / | / | / | / |
| 86 | 730919101105 | SWETHA D | / | / | / | / | / | / | / | / |
| 87 | 730919101106 | SWETHA T | / | / | / | / | / | a | a | / |
| 88 | 730919101107 | SYED ABHAJAL PEER | / | a | / | / | / | / | / | / |
| 89 | 730919101108 | SYED JUNAID AHMED | / | / | / | / | / | / | / | / |
| 90 | 730919101109 | THAMIZHARASAN G | / | / | / | / | / | / | / | / |
| 91 | 730919101110 | VANATHI M | / | / | / | / | / | / | / | / |
| 92 | 730919101111 | VARUNKUMAR S | / | / | / | / | / | / | / | / |
| 93 | 730919101113 | VIGNESH T | / | / | / | / | / | / | / | / |
| 94 | 730919101115 | VIJAY KAMESH B | / | / | / | / | / | / | / | / |
| 95 | 730919101114 | VIJAYAN S | / | / | / | a | / | / | / | / |
| 96 | 730919101116 | VIVEKA K | / | / | / | / | / | / | / | / |
| 97 | 730919101117 | VIZHIYARASU T | / | / | / | / | / | / | / | / |
| 98 | 730919101301 | AFRITHI S | / | / | / | / | / | / | / | / |
| 99 | 730919101302 | AJITH V | / | / | / | / | / | / | / | / |
| 100 | 730919101303 | ARIVUSELVAN A | / | / | / | / | / | / | / | / |
| 101 | 730919101304 | JITHINMON J | / | / | / | / | / | / | / | / |
| 102 | 730919101305 | LALITHA S | / | / | / | / | / | / | / | / |
| 103 | 730919101306 | MOHAMMED YOUNUS | / | / | / | / | / | / | / | / |
| 104 | 730920101003 | ADITYA SINGH | / | / | / | / | / | / | / | / |
| 105 | 730920101005 | AMAN ARYAN | a | a | a | a | a | a | a | a |
| 106 | 730920101010 | CHITTALURU PRAVEEN | / | / | / | / | / | / | a | / |
| 107 | 730920101012 | GAJADHAR KUMAR SAHANI | / | / | / | / | / | / | / | / |
| 108 | 730920101024 | MANIKANDAN S | / | / | / | / | / | / | / | / |
| 109 | 730920101026 | MANOHARAN D | / | / | / | / | / | / | / | / |
| 110 | 730920101030 | NAVEENKUMAR A | / | / | / | / | / | / | / | / |
| 111 | 730920101032 | NISHA C | / | / | / | / | / | / | / | / |
| 112 | 730920101033 | NISHANTH S | / | / | / | / | / | / | / | / |

| | | | | | | | | | | |
|-----|--------------|--------------------|---|---|---|---|---|---|---|---|
| 113 | 730920101039 | SAHAJ SABHARWAL | / | / | / | / | / | / | / | / |
| 114 | 730920101040 | SANDEEP RAJ | a | a | a | a | a | a | a | a |
| 115 | 730920101041 | SANTHAKUMAR P | / | / | / | / | / | / | / | / |
| 116 | 730920101043 | SAVARINATHAN K | / | / | / | / | / | / | / | / |
| 117 | 730920101044 | SHARMINI R | / | / | / | / | / | / | / | / |
| 118 | 730920101045 | SHIVAM RAJ | / | / | / | / | / | / | / | / |
| 119 | 730920101047 | SIVASUBRAMANIYAN B | / | / | / | / | / | / | / | / |
| 120 | 730920101048 | SUGANTHI U | / | / | a | / | / | / | / | / |
| 121 | 730920101049 | SUSHIL SINGH | / | / | / | / | / | / | / | / |
| 122 | 730920101050 | TANVEER NADAF | / | / | / | / | / | a | / | / |
| 123 | 730920101051 | THARUNKUMAR L | / | / | / | / | / | / | / | / |
| 124 | 730920101052 | VENUGOPALAN N | / | / | / | / | / | / | / | / |
| 125 | 730920101308 | NAVEENKUMAR R S | / | / | / | / | / | / | / | / |
| 126 | 730920101309 | NAVIN KUMAR S T | / | / | / | / | / | / | / | / |
| 127 | 730920101311 | SYED SOHAIL | / | / | / | / | / | / | / | / |

JGU
17/9/22

S. P. S.
17/09/2022



EXCEL ENGINEERING COLLEGE

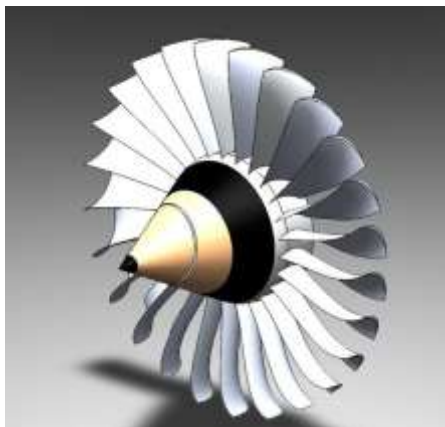
(Autonomous)

Approved by AICTE, New Delhi & Affiliated to Anna University, Chennai
Accredited by NBA, NAAC with "A+" and Recognised by UGC (2f & 12B)
KOMARAPALAYAM - 637303

PHOTOS

Code: 22AVAC01

Title: Design of Aircraft External Structure





EXCEL ENGINEERING COLLEGE

(Autonomous)

Approved by AICTE, New Delhi & Affiliated to Anna University, Chennai
Accredited by NBA(AERO, MECH, CSE & ECE), NAAC with "A+" and Recognised by UGC (2f & 12B)
KOMARAPALAYAM - 637303

TEST QUESTIONS WITH ANSWERS 22AVAC01 - Design of Aircraft External Structure

8
JKU

Name: Syed Abhajaal Peer

Answer the following questions

1. The Bidirectional associativity property ensures that any modification made in a model in any of the modes of SOLIDWORKS is also reflected in the other modes immediately.
2. The Concentric relation forces two selected arcs, two circles, a point and an arc, a point and a circle, or an arc and a circle share the same CenterPoint.
3. The Coincident relation is used to make two points, a point and a line, or a point and an arc coincident.
4. The equal relation forces two selected lines to become equal in length.
5. The equal is used to detect interference and collision between the parts of an assembly when the assembly is in motion.
6. Equations are the analytical and numerical formulae applied to the dimensions during or after sketching of the feature sketch.
7. The Part mode of SOLIDWORKS is a feature-based parametric environment in which you can create solid models. (T/F) **F** ~~X~~
8. Generative drafting is the process of generating drawing views of a part or an assembly created earlier. (T/F) **T**
9. The tip of the day is displayed at the bottom of the task pane. (T/F) **T**
10. In SOLIDWORKS, solid models are created by integrating a number of building blocks called features. (T/F) **T**



EXCEL ENGINEERING COLLEGE (Autonomous)

Approved by AICTE, New Delhi & Affiliated to Anna University, Chennai
Accredited by NBA(AERO,MECH, CSE & ECE), NAAC with "A+" and Recognised by UGC (2f &12B)
KOMARAPALAYAM - 637303

TEST QUESTIONS WITH ANSWERS 22AVAC01 - Design of Aircraft External Structure

Name:

Manoharan D

7
Jee

Answer the following questions

1. The Associative property ensures that any modification made in a model in any of the modes of SOLIDWORKS is also reflected in the other modes immediately.
2. The Concentric relation forces two selected arcs, two circles, a point and an arc, a point and a circle, or an arc and a circle share the same CenterPoint.
3. The Concentric relation is used to make two points, a point and a line, or a point and an arc coincident.
4. The equal relation forces two selected lines to become equal in length.
5. The Collision is used to detect interference and collision between the parts of an assembly when the assembly is in motion.
6. Summate are the analytical and numerical formulae applied to the dimensions during or after sketching of the feature sketch.
7. The Part mode of SOLIDWORKS is a feature-based parametric environment in which you can create solid models. (T/F) T
8. Generative drafting is the process of generating drawing views of a part or an assembly created earlier. (T/F) T
9. The tip of the day is displayed at the bottom of the task pane. (T/F) T
10. In SOLIDWORKS, solid models are created by integrating a number of building blocks called features. (T/F) T



EXCEL ENGINEERING COLLEGE

(Autonomous)

Approved by AICTE, New Delhi & Affiliated to Anna University, Chennai

Accredited by NBA (AERO, MECH, CSE & ECE), NAAC with "A+" and Recognised by UGC (2f & 12B)

KOMARAPALAYAM – 637303

Value Added Course - Design of Aircraft External Structure

Academic Year 2022-23

| S.No. | Register Number | Name | Marks |
|-------|-----------------|------------------------|-------|
| 1 | 730919101002 | ABINANTHAN S | 9 |
| 2 | 730919101003 | AFTAB S | 9 |
| 3 | 730919101005 | AJAIKISHORE T | 8 |
| 4 | 730919101007 | AKASH E | 8 |
| 5 | 730919101008 | AKHIL JOSE | 9 |
| 6 | 730919101009 | AKSHAYA KUMARAN P | 9 |
| 7 | 730919101010 | AMAAN NASIM | 6 |
| 8 | 730919101012 | ANTONY BESKIN A | 8 |
| 9 | 730919101013 | ANWAR BASHA B K | 9 |
| 10 | 730919101014 | ARAVIND M | 10 |
| 11 | 730919101015 | ARULKUMAR S | 9 |
| 12 | 730919101016 | ASIF EQUBAL ANSARI | 9 |
| 13 | 730919101017 | BHAGIYA PRASAD A | 7 |
| 14 | 730919101018 | BIJOY KRISHNA GUCHHAJT | 8 |
| 15 | 730919101021 | CHANDHIRAN B | 9 |
| 16 | 730919101022 | DHINESH S | 6 |
| 17 | 730919101023 | ELAVARASAN K | 5 |
| 18 | 730919101024 | GNANASEKAR M | 6 |
| 19 | 730919101025 | GUHAN N | 6 |
| 20 | 730919101026 | GUNA M | 7 |
| 21 | 730919101027 | GUNAL R | 7 |
| 22 | 730919101028 | HARIPRASAD S V | 8 |
| 23 | 730919101030 | IRSHAD ALI | 9 |
| 24 | 730919101031 | IYAPPAN R | 9 |
| 25 | 730919101032 | JAIKISHORE S | 7 |
| 26 | 730919101033 | JANMEJAY KUMAR CHAUBEY | 7 |
| 27 | 730919101034 | JEEVA R | 8 |
| 28 | 730919101035 | JEEVANANDHAM M | 9 |
| 29 | 730919101036 | JEEVANTHINI M | 10 |
| 30 | 730919101037 | JOTHIPRASANTH M | 6 |
| 31 | 730919101038 | JYOTI RANJAN | 5 |

| | | | |
|-----|--------------|-----------------------|--------|
| 73 | 730919101092 | SETHUPATHI S | |
| 74 | 730919101093 | SHAMS ALTAMASH ANSARI | |
| 75 | 730919101095 | SHANMUGA SUNDARAM A | |
| 76 | 730919101094 | SHANMUGAPRIYAN K | |
| 77 | 730919101096 | SIVANESAN K | |
| 78 | 730919101097 | SOMASUNDARAM R | |
| 79 | 730919101098 | SOUMYADIP SHIT | |
| 80 | 730919101099 | SOURAV BISWAS | |
| 81 | 730919101100 | SUBASH DHAKAL | |
| 82 | 730919101101 | SUDIP DHAKAL | |
| 83 | 730919101102 | SUPRIYA S | |
| 84 | 730919101103 | SURAJ ADHIKARI | |
| 85 | 730919101104 | SURYA S | |
| 86 | 730919101105 | SWETHA D | |
| 87 | 730919101106 | SWETHA T | |
| 88 | 730919101107 | SYED ABHAJAL PEER | |
| 89 | 730919101108 | SYED JUNAID AHMED | |
| 90 | 730919101109 | THAMIZHARASAN G | |
| 91 | 730919101110 | VANATHI M | |
| 92 | 730919101111 | VARUNKUMAR S | |
| 93 | 730919101113 | VIGNESH T | |
| 94 | 730919101115 | VIJAY KAMESH B | |
| 95 | 730919101114 | VIJAYAN S | |
| 96 | 730919101116 | VIVEKA K | |
| 97 | 730919101117 | VIZHIYARASU T | |
| 98 | 730919101301 | AFRITHI S | |
| 99 | 730919101302 | AJITH V | |
| 100 | 730919101303 | ARIVUSELVAN A | |
| 101 | 730919101304 | JITHINMON J | |
| 102 | 730919101305 | LALITHA S | |
| 103 | 730919101306 | MOHAMMED YOUNUS | |
| 104 | 730920101003 | ADITYA SINGH | |
| 105 | 730920101005 | AMAN ARYAN | - AB - |
| 106 | 730920101010 | CHITTALURU PRAVEEN | |
| 107 | 730920101012 | GAJADHAR KUMAR SAHANI | |
| 108 | 730920101024 | MANIKANDAN S | |
| 109 | 730920101026 | MANOHARAN D | |
| 110 | 730920101030 | NAVEENKUMAR A | |
| 111 | 730920101032 | NISHA C | |
| 112 | 730920101033 | NISHANTH S | |
| 113 | 730920101039 | SAHAJ SABHARWAL | |

| | | | |
|-----|--------------|----------------------|--------|
| 114 | 730920101040 | SANDEEP RAJ | — AB — |
| 115 | 730920101041 | SANTHAKUMAR P | 9 |
| 116 | 730920101043 | SAVARINATHAN K | 9 |
| 117 | 730920101044 | SHARMINI R | 7 |
| 118 | 730920101045 | SHIVAM RAJ | 7 |
| 119 | 730920101047 | SIVASUBRAMANIYAN B . | 6 |
| 120 | 730920101048 | SUGANTHI U | 5 |
| 121 | 730920101049 | SUSHIL SINGH | 5 |
| 122 | 730920101050 | TANVEER NADAF | 9 |
| 123 | 730920101051 | THARUNKUMAR L | 10 |
| 124 | 730920101052 | VENUGOPALAN N | 10 |
| 125 | 730920101308 | NAVEENKUMAR R S | 9 |
| 126 | 730920101309 | NAVIN KUMAR S T | 8 |
| 127 | 730920101311 | SYED SOHAIL | 8 |

JK
17/9/22

SPD
17/09/2022



EXCEL ENGINEERING COLLEGE

(Autonomous)

Approved by AICTE, New Delhi & Affiliated to Anna University, Chennai
Accredited by NBA(AERO,MECH, CSE & ECE), NAAC with "A+" and Recognised by UGC (2f &12B)
KOMARAPALAYAM - 637303

22AVAC01 – Design of Aircraft External Structure

SUMMARY REPORT

1. Students learned the course in a short period of time
2. Assessment was conducted and students performed well.
3. Other faculties also monitored the student's attendance and performance.
4. It was very useful for the placement purpose and for their skill development.
5. Most of the students asked many doubts and done so drawings.
6. Under performed was also monitored and given time for them to complete the drawings in a short time.

SK
18/9/22

SP
20/9/22



EXCEL ENGINEERING COLLEGE

(Autonomous)

Approved by AICTE, New Delhi & Affiliated to Anna University, Chennai
Accredited by NBA (AERO, MECH, CSE & ECE), NAAC with "A+" and Recognised by UGC (2f & 12B)
KOMARAPALAYAM - 637303

DEPARTMENT OF

Aeronautical Engineering

ACADEMIC YEAR: *2022-2023*

Indirect Assessment of Program Outcomes & Program Specific Outcomes through Curricular and Extracurricular Activities

Student Name : *Ajay Kishore. T*

Date: *17/9/2022*

Batch : *2021-2023*

Year/Semester: *V / VII*

Type of Activity: Value added course / Industrial Visit / Implant Training / Guest Lecturer/ Seminar /

Conference / Workshop / Design Contest/ Project Contest / Sports / Games / Social Activities /

Certificate Program / Diploma Course /hackathon/ Ideathon / or any other _____

Organizing Institute: *Excel Engineering College*

Place: *Cad lab*

Provide your level of attainment for the following questions by ✓ in the given

[3 / 2 / 1 Indicates Level of Attainment; 3 – Very Much, 2 – Moderate, 1 – Some Extent]

1. Does this Activity/ Course improve your Technical Skill?

3 2 1

2. Does this Activity /Course improve your Problem Solving Skill?

3 2 1

3. Does this training / Course improve your practical Exposure?

3 2 1

4. Have you learnt any modern tools through this activity/ training?

Yes No if yes name of tool *Software*

5. Does this activity /training useful to improve your professional ethics?

3 2 1



EXCEL ENGINEERING COLLEGE

(Autonomous)

Approved by AICTE, New Delhi & Affiliated to Anna University, Chennai

Accredited by NBA (AERO, MECH, CSE & ECE), NAAC with "A+" and Recognised by UGC (2f & 12B)

KOMARAPALAYAM - 637303

6. Does this activity /training useful to apply for any modern research programs?

3 2 1

7. Have you got any ideas to improve our environmental & social needs?

3 2 1

8. Have you ever felt that your communication skill & leadership skill has been improved through this activity?

3 2 1

9. Does this Activity / training useful to improve learning attitude with zeal?

3 2 1

10. Does this Activity /training useful for you to work in multi-disciplinary team?

3 2 1

11. Does this Activity /training improve your mind to face any changes in your life?

3 2 1

Any other Comments:

Time can be given for drawing. Otherwise good.


Signature



EXCEL ENGINEERING COLLEGE

(Autonomous)

Approved by AICTE, New Delhi & Affiliated to Anna University, Chennai
Accredited by NBA (AERO, MECH, CSE & ECE), NAAC with "A+" and Recognised by UGC (2f & 12B)
KOMARAPALAYAM - 637303

DEPARTMENT OF

AERONAUTICAL ENGG.

ACADEMIC YEAR: 20²²-20²³

Indirect Assessment of Program Outcomes & Program Specific Outcomes through Curricular and Extracurricular Activities

Student Name : NISHA. C

Date: 17.9.2022

Batch : 2020-2024

Year/Semester: 1st / 8th

Type of Activity: Value added course / Industrial Visit / Implant Training / Guest Lecturer/ Seminar /

Conference / Workshop / Design Contest/ Project Contest / Sports / Games / Social Activities /

Certificate Program / Diploma Course /hackathon/ Ideathon / or any other _____

Organizing Institute: EXCEL ENGG. COLLEGE

Place: CAD LAB

Provide your level of attainment for the following questions by ✓ in the given

[3 / 2 / 1 Indicates Level of Attainment; 3 – Very Much, 2 – Moderate, 1 – Some Extent]

1. Does this Activity/ Course improve your Technical Skill?

3 2 1

2. Does this Activity /Course improve your Problem Solving Skill?

3 2 1

3. Does this training / Course improve your practical Exposure?

3 2 1

4. Have you learnt any modern tools through this activity/ training?

Yes No if yes name of tool Software

5. Does this activity /training useful to improve your professional ethics?

3 2 1

**EXCEL ENGINEERING COLLEGE****(Autonomous)**

Approved by AICTE, New Delhi & Affiliated to Anna University, Chennai

Accredited by NBA (AERO, MECH, CSE & ECE), NAAC with "A+" and Recognised by UGC (2f & 12B)

KOMARAPALAYAM - 637303

6. Does this activity /training useful to apply for any modern research programs?

3 2 1

7. Have you got any ideas to improve our environmental & social needs?

3 2 1

8. Have you ever felt that your communication skill & leadership skill has been improved through this activity?

3 2 1

9. Does this Activity / training useful to improve learning attitude with zeal?

3 2 1

10. Does this Activity /training useful for you to work in multi-disciplinary team?

3 2 1

11. Does this Activity /training improve your mind to face any changes in your life?

3 2 1

Any other Comments:

Sir, MORE classes can be scheduled. We
learned more. Nice


Signature



Excel[®] ENGINEERING COLLEGE (AUTONOMOUS)

Approved by AICTE, New Delhi & Affiliated to Anna University, Chennai

Accredited by NBA (AERO, MECH, CSE & ECE), NAAC (A⁺ Grade - 3.26) and Recognized by UGC (2f & 12B)

NH-544, Komarapalayam Tk., Namakkal Dt. - 637303, Tamil Nadu, INDIA, www.excelinstitutions.com

Certificate

This is to certify that **Mr. Akhil Jose**, Excel Engineering College has participated and successfully completed **Value Added Course on 22AVAC01 - Design of Aircraft External Structure** conducted by Department of Aeronautical Engineering from **14.09.2022 to 17.09.2022**.

COORDINATOR

HoD

PRINCIPAL



Excel[®] ENGINEERING COLLEGE (AUTONOMOUS)

Approved by AICTE, New Delhi & Affiliated to Anna University, Chennai

Accredited by NBA (AERO, MECH, CSE & ECE), NAAC (A⁺ Grade - 3.26) and Recognized by UGC (2f & 12B)

NH-544, Komarapalayam Tk., Namakkal Dt. - 637303, Tamil Nadu, INDIA, www.excelinstitutions.com

Certificate

This is to certify that **Mr. Aditya Singh**, Excel Engineering College has participated and successfully completed **Value Added Course on 22AVAC01 - Design of Aircraft External Structure** conducted by Department of Aeronautical Engineering from **14.09.2022 to 17.09.2022**.

COORDINATOR

HoD

PRINCIPAL



EXCEL ENGINEERING COLLEGE (Autonomous)

Approved by AICTE, New Delhi & Affiliated to Anna University, Chennai
Accredited by NBA (AERO, MECH, CSE & ECE), NAAC with "A+" and Recognised by UGC (2f & 12B)
KOMARAPALAYAM - 637303

Ref: EEC/AERO /VAC/2022-23/02

Date: 10.10.2022

CIRCULAR

Department of Aeronautical Engineering is planned to conduct Value added course on "22AVAC02 - Hands on Training on Design of Components of Aircraft Engine" from 15.10.2022 to 18.10.2022 in AERO CAD LAB. Interested students are directed to enroll their name to the respective course coordinator on or before 12.10.2022.


Course Coordinator


HOD 10/10/2022

To:

Notice Board

Copy to:

1. Chairman / Vice Chairman
2. Principal
3. HOD File
4. Academic Coordinator





EXCEL ENGINEERING COLLEGE

(Autonomous)

Approved by AICTE, New Delhi & Affiliated to Anna University, Chennai
Accredited by NBA (AERO, MECH, CSE& ECE), NAAC with "A+" and Recognized by UGC (2f & 12B)
KOMARAPALAYAM - 637303



DEPARTMENT OF AERONAUTICAL ENGINEERING ACADEMIC YEAR 2022-23

ORGANIZING A VALUE ADDED COURSE FOR AERONAUTICAL STUDENTS

TOPIC: DESIGN OF AIRCRAFT EXTERNAL STRUCTURE

MODULES COVERED IN THE COURSE:

- ❖ Introduction to GD&T
- ❖ Part Modelling
- ❖ Assembly Modelling
- ❖ Drafting
- ❖ Surface Modelling

Course Duration :

30 Hours

Date: 14.09.2022 to

17.09.2022



Venue :AERO CAD LAB

Course handled By

Dr. S P Venkatesan HOD/AERO

Mr. J Senthil kumar AP/AERO



Coordinator: Dr S P Venkatesan HOD/AERO



EXCEL ENGINEERING COLLEGE

(Autonomous)

Approved by AICTE, New Delhi & Affiliated to Anna University, Chennai
Accredited by NBA, NAAC with "A+" and Recognised by UGC (2f & 12B)
KOMARAPALAYAM - 637303

Code: 22AVAC02

Title: Hands on training on design of components of aircraft engine

Course Outcome:

CO1: To know the concepts and knowledge about the aircraft engine components

CO2: To learn the theoretical concepts of engineering graphics to draw the drawings

CO3: To identify the sketch, part sectioning and drafting

CO4: To get perfection in design the aircraft engine components

CO5: To know the assembly of components in the aircraft engine

Course Objective:

1. Learn about the basic modeling concepts about aircraft engine
2. Use of reference geometry for the drawing and assembling of aircraft engine
3. Explain about the terms and dimensioning of aircraft engine components
4. Availability of knowledge about the feature concepts and modification tools on drawings
5. Explore about the geometric relation and sketching entities of aircraft engine components

S. D. S.
12/10/2022



EXCEL ENGINEERING COLLEGE (Autonomous)

Approved by AICTE, New Delhi & Affiliated to Anna University, Chennai
Accredited by NBA (AERO, MECH, CSE & ECE), NAAC with "A+" and Recognised by UGC (2f & 12B)
KOMARAPALAYAM - 637303

DEPARTMENT OF AERONAUTICAL ENGINEERING

ACADMEIC YEAR 2022-23

VALUE ADDED COURSE – Hands on Training on Design of Components of Aircraft Engine

COURSE PLAN

Course Coordinator: Mr.N.Sreenivasaraja, AP/Aero


| S.No. | DESCRIPTION | ALLOTTED HOURS | | COURSE INSTRUCTOR |
|-------|---|----------------|-----------|---------------------|
| | | THEORY | PRACTICAL | |
| 1. | CATIA as a CAD software | 1 | | Mr.N.Sreenivasaraja |
| 2. | Sketcher: Profile toolbar | 1 | 2 | Mr.N.Sreenivasaraja |
| 3. | Sketcher: sketch tools | 1 | 1 | Mr.S.Karthik |
| 4. | Modeling of Machined component Material Addition and Removal | | 2 | Mr.N.Sreenivasaraja |
| 5. | Pattern, Thread/Tap, Datum Features | | 1 | Mr.N.Sreenivasaraja |
| 6. | Advance Design features | | 1 | Mr.S.Karthik |
| 7. | Practice session | | 1 | Mr.S.Karthik |
| 8. | Practice session | | 1 | Mr.N.Sreenivasaraja |
| 9. | Transformation (Translation, Mirror, Scaling, Affinity) | | 2 | Mr.N.Sreenivasaraja |
| 10. | Multibody concept (Boolean Operations) | | 1 | Mr.S.Karthik |
| 11. | Advance Features | | 1 | Mr.S.Karthik |
| 12. | Introduction To Drafting & Detailing Theory | 1 | 2 | Mr.N.Sreenivasaraja |
| 13. | Practice session | | 1 | Mr.N.Sreenivasaraja |
| 14. | Practice session | | 1 | Mr.N.Sreenivasaraja |

| | | | | |
|-----|--|---|---|---------------------|
| 15. | Surfacing Modeling based Plastic Component | | 1 | Mr.N.Sreenivasaraja |
| 16. | Surfacing | | 2 | Mr.S.Karthik |
| 17. | Advanced Surfacing | | 1 | Mr.S.Karthik |
| 18. | Wire-frame Modeling | | 1 | Mr.N.Sreenivasaraja |
| 19. | Introduction to Assembly BOTTOM UP Approach | 1 | 1 | Mr.S.Karthik |
| 20. | TOP DOWN Approach | | 1 | Mr.S.Karthik |
| 21. | Practice session | | 1 | Mr.N.Sreenivasaraja |

Total Hours to be handled:

Theory : 5
 Practical : 25
 Total : 30


 Course Coordinator


 HOD/Aero 2/10/2022



EXCEL ENGINEERING COLLEGE (Autonomous)

Approved by AICTE, New Delhi & Affiliated to Anna University, Chennai

Accredited by NBA, NAAC with "A+" and Recognised by UGC (2f & 12B)

KOMARAPALAYAM – 637303

22AVAC02 - Hands on Training on Design of Components of Aircraft Engine Academic Year 2022-23 – Enrollment List

| S.No. | Register Number | Name | Signature |
|-------|-----------------|--------------------------------|-------------|
| 1 | 730920101001 | ABINESH S | Abin |
| 2 | 730920101002 | ABINESH U | Abin |
| 3 | 730920101003 | ADITYA SINGH | Aditya |
| 4 | 730920101005 | AMAN ARYAN | Aman Aryan |
| 5 | 730920101007 | ASHIKA K V | Ashika |
| 6 | 730920101008 | ASHUTOSH KUMAR | Ashutosh |
| 7 | 730920101009 | BHUVANESH R | Bhuvanesh |
| 8 | 730920101010 | CHITTALURU PRAVEEN | Praveen |
| 9 | 730920101012 | GAJADHAR KUMAR SAHANI | Gajadhar |
| 10 | 730920101013 | BALUA CHAMAKURA GANESH CHANDRA | Balu |
| 11 | 730920101014 | GOWTHAM N | Gowtham |
| 12 | 730920101016 | JAGADEESH J | Jagadeesh |
| 13 | 730920101017 | KARTHIKEYAN S | Karthikeyan |
| 14 | 730920101018 | MAAZ AHMED NADEEM | Maaz |
| 15 | 730920101019 | MAHADEVA SWAMY S | Swamy |
| 16 | 730920101022 | MANIKANDA PRABHU M | Prabhu |
| 17 | 730920101023 | MANIKANDAN G | Manikandan |
| 18 | 730920101024 | MANIKANDAN S | Manikandan |
| 19 | 730920101026 | MANOHARAN D | Manoharan |
| 20 | 730920101027 | MOHAMMED MUTHEEB | Mutheeb |
| 21 | 730920101028 | MUTHUKUMAR D | Muthukumar |
| 22 | 730920101029 | NAVANEETHAN M S | Navaneethan |
| 23 | 730920101030 | NAVEENKUMAR A | Naveenkumar |
| 24 | 730920101032 | NISHA C | Nisha |
| 25 | 730920101033 | NISHANTH S | Nishanth |
| 26 | 730920101034 | NITHARSAN R | Nitharsan |
| 27 | 730920101035 | PRADEESH A C | Pradeesh |
| 28 | 730920101036 | ROHIT KHUMUKCHAM | Rohit |
| 29 | 730920101037 | SABARIVASAN M | Sabarivasan |
| 30 | 730920101038 | SAGAR KUMAR | Sagar |
| 31 | 730920101039 | SAHAJ SABHARWAL | Sahaj |

| | | | |
|----|--------------|---------------------------|---------------------------|
| 32 | 730920101040 | SANDEEP RAJ | Sandeep Raj |
| 33 | 730920101041 | SANTHAKUMAR P | Santhakumar P |
| 34 | 730920101043 | SAVARINATHAN K | Savarinathan K |
| 35 | 730920101044 | SHARMINI R | Sharmeni R |
| 36 | 730920101045 | SHIVAM RAJ | Shivam Raj |
| 37 | 730920101046 | SHUBHAM GAUTAM | Shubham Gautam |
| 38 | 730920101047 | SIVASUBRAMANIYAN B | Sivasubramaniyan B |
| 39 | 730920101048 | SUGANTHI U | Suganthi U |
| 40 | 730920101049 | SUSHIL SINGH | Sushil Singh |
| 41 | 730920101050 | TANVEER NADAF | Tanveer Nadaf |
| 42 | 730920101051 | THARUNKUMAR L | Tharunkumar L |
| 43 | 730920101052 | VENUGOPALAN N | Venugopalan N |
| 44 | 730920101053 | VIGNESH C | Vignesh C |
| 45 | 730920101054 | VIGNESH T | Vignesh T |
| 46 | 730920101055 | YOGESH A | Yogesh A |
| 47 | 730920101302 | BHARATH J K | Bharath J K |
| 48 | 730920101303 | JAGADEESH J | Jagadeesh J |
| 49 | 730920101306 | MITHRA J A | Mithra J A |
| 50 | 730920101307 | MOHANRAJ R | Mohanraj R |
| 51 | 730920101308 | NAVEENKUMAR R S | Naveenkumar R S |
| 52 | 730920101309 | NAVIN KUMAR S T | Navin Kumar S T |
| 53 | 730920101311 | SYED SOHAIL | Syed Sohail |
| 54 | 730920101501 | BOOPATHI S | Boopathi S |
| 55 | 730920101502 | VIGNESH N | Vignesh N |
| 56 | 730921101001 | ABDUL BAIZ BACKER KADAVIL | Abdul Baiz Backer Kadavil |
| 57 | 730921101002 | ADARSH SHARMA | Adarsh Sharma |
| 58 | 730921101004 | ALWIN J | Alwin J |
| 59 | 730921101006 | ASHARUDHEEN V | Asharudheen V |
| 60 | 730921101007 | AZARUDDIN R | Azaruddin R |
| 61 | 730921101008 | BALAJI S | Balaji S |
| 62 | 730921101009 | BARATH P | Barath P |
| 63 | 730921101010 | BHUVAN A | Bhuvan A |
| 64 | 730921101011 | CHHOTU KUMAR MUKHIYA | Chhotu Kumar Mukhiya |
| 65 | 730921101013 | EVANGELINE CHRISTINA J | Evangelina Christina J |
| 66 | 730921101014 | GOKUL M | Gokul M |
| 67 | 730921101015 | GOWTHAM K | Gowtham K |
| 68 | 730921101016 | HARI KRISHNAN R | Hari Krishnan R |
| 69 | 730921101017 | HARISH P | Harish P |
| 70 | 730921101018 | INAYATULLAH H | Inayatullah H |
| 71 | 730921101019 | JAYASEELAN J | Jayaseelan J |
| 72 | 730921101020 | JEEVITHA S | Jeevitha S |
| 73 | 730921101021 | KALAIVANI C | Kalaivani C |
| 74 | 730921101022 | KALAIVANI M | Kalaivani M |
| 75 | 730921101023 | KAUSHAL RAJ BHATTARAI K | Kaushal Raj Bhattarai K |
| 76 | 730921101024 | KUMBARA RANGANATHA | Kumbara Ranganatha |
| 77 | 730921101025 | MALINI M | Malini M |

| | | | |
|-----|--------------|-------------------------|-------------------------|
| 78 | 730921101026 | MANOJ KUMAR KOHAR | Manoj Kohar |
| 79 | 730921101027 | MD AFJAL ALI | MD AFJAL ALI |
| 80 | 730921101028 | MD ASGOR ALI F | MD ASGOR ALI F |
| 81 | 730921101029 | MOHAMMAD JABEER | MOHAMMAD JABEER |
| 82 | 730921101030 | MOHAMMED FAIZAN Z | MOHAMMED FAIZAN Z |
| 83 | 730921101031 | MOHAMMEDFAZIL FAZIL | MOHAMMEDFAZIL FAZIL |
| 84 | 730921101032 | MOHAMMED FUZAIL | MOHAMMED FUZAIL |
| 85 | 730921101033 | MOHAMMED SUFIYAN S | MOHAMMED SUFIYAN S |
| 86 | 730921101034 | MOHAMMED UMAR AINAN | MOHAMMED UMAR AINAN |
| 87 | 730921101035 | MOHAMMED ZUBER | MOHAMMED ZUBER |
| 88 | 730921101037 | MOST UMME AYESHA | MOST UMME AYESHA |
| 89 | 730921101038 | MUGILESH P | MUGILESH P |
| 90 | 730921101039 | MUHAMMADI SUBIYA MAIRAJ | MUHAMMADI SUBIYA MAIRAJ |
| 91 | 730921101041 | NIRAJAN KUMAR SAH | NIRAJAN KUMAR SAH |
| 92 | 730921101042 | NITESH KUMAR | NITESH KUMAR |
| 93 | 730921101043 | PRASANTH M | PRASANTH M |
| 94 | 730921101044 | PRAVEEN KUMAR P | PRAVEEN KUMAR P |
| 95 | 730921101045 | RAJ KISHORE SAHU | RAJ KISHORE SAHU |
| 96 | 730921101046 | RAJEEV KUMAR RANJAN | RAJEEV KUMAR RANJAN |
| 97 | 730921101047 | RITIK KUMAR | RITIK KUMAR |
| 98 | 730921101048 | ROHIT KUMAR | ROHIT KUMAR |
| 99 | 730921101049 | SAI VIGNESH S | SAI VIGNESH S |
| 100 | 730921101051 | SELVARAJ M | SELVARAJ M |
| 101 | 730921101054 | SHYAM HARI V.S | SHYAM HARI V.S |
| 102 | 730921101055 | SIPENDRA KUMAR YADAV | SIPENDRA KUMAR YADAV |
| 103 | 730921101056 | SUCHITH S | SUCHITH S |
| 104 | 730921101057 | SUDIPTA MAITI | SUDIPTA MAITI |
| 105 | 730921101058 | SUHANA KHANUM | SUHANA KHANUM |
| 106 | 730921101059 | THANGADURAI RAJA C | THANGADURAI RAJA C |
| 107 | 730921101060 | UDHAYAKUMAR G | UDHAYAKUMAR G |
| 108 | 730921101061 | UMESH CHANDER S | UMESH CHANDER S |
| 109 | 730921101062 | VALANRAJ M | VALANRAJ M |
| 110 | 730921101063 | VARUN PRASATH S | VARUN PRASATH S |
| 111 | 730921101064 | VIGNESH R | VIGNESH R |
| 112 | 730921101066 | YASEEN KHAN | YASEEN KHAN |
| 113 | 730921101067 | YASWANTHKUMAR J | YASWANTHKUMAR J |
| 114 | 730921101301 | SAMBASSIVAM R | SAMBASSIVAM R |
| 115 | 730919101005 | AJAIKISHORE T | AJAIKISHORE T |
| 116 | 730919101022 | DHINESH S | DHINESH S |
| 117 | 730919101023 | ELAVARASAN K | ELAVARASAN K |
| 118 | 730919101036 | JEEVANTHINI M | JEEVANTHINI M |
| 119 | 730919101080 | RAMESH M | RAMESH M |

Spl...

| | | | | | | | | | | |
|----|--------------|---------------------------|---|---|---|---|---|---|---|---|
| 30 | 730920101038 | SAGAR KUMAR | / | / | / | / | / | / | / | / |
| 31 | 730920101039 | SAHAJ SABHARWAL | / | / | / | / | / | / | / | / |
| 32 | 730920101040 | SANDEEP RAJ | / | / | / | / | / | / | / | / |
| 33 | 730920101041 | SANTHAKUMAR P | / | / | / | / | / | / | / | / |
| 34 | 730920101043 | SAVARINATHAN K | / | / | / | / | / | / | / | / |
| 35 | 730920101044 | SHARMINI R | / | / | / | / | / | / | / | / |
| 36 | 730920101045 | SHIVAM RAJ | / | / | / | / | / | / | / | / |
| 37 | 730920101046 | SHUBHAM GAUTAM | / | / | / | / | / | / | / | / |
| 38 | 730920101047 | SIVASUBRAMANIYAN B | / | / | / | / | / | / | / | / |
| 39 | 730920101048 | SUGANTHI U | / | / | / | / | / | / | / | / |
| 40 | 730920101049 | SUSHIL SINGH | / | / | / | / | / | / | a | / |
| 41 | 730920101050 | TANVEER NADAF | / | / | / | / | / | / | / | / |
| 42 | 730920101051 | THARUNKUMAR L | / | / | / | / | / | / | / | / |
| 43 | 730920101052 | VENUGOPALAN N | / | / | / | / | / | / | / | / |
| 44 | 730920101053 | VIGNESH C | / | / | / | / | / | / | / | / |
| 45 | 730920101054 | VIGNESH T | / | / | / | / | / | / | / | / |
| 46 | 730920101055 | YOGESH A | / | / | / | / | / | / | / | / |
| 47 | 730920101302 | BHARATH J K | / | / | / | a | / | / | / | / |
| 48 | 730920101303 | JAGADEESH J | / | / | / | a | / | / | / | / |
| 49 | 730920101306 | MITHRA J A | / | / | / | / | / | / | / | / |
| 50 | 730920101307 | MOHANRAJ R | / | / | / | / | / | / | / | / |
| 51 | 730920101308 | NAVEENKUMAR R S | / | / | / | / | / | / | / | / |
| 52 | 730920101309 | NAVIN KUMAR S T | / | / | / | / | / | / | / | / |
| 53 | 730920101311 | SYED SOHAIL | / | / | / | / | / | / | / | / |
| 54 | 730920101501 | BOOPATHI S | / | a | a | / | / | / | / | / |
| 55 | 730920101502 | VIGNESH N | / | / | / | / | / | / | / | / |
| 56 | 730921101001 | ABDUL BAIZ BACKER KADAVIL | / | / | / | / | / | / | / | / |
| 57 | 730921101002 | ADARSH SHARMA | / | / | / | / | / | / | / | / |
| 58 | 730921101004 | ALWIN J | / | / | / | / | / | / | / | / |
| 59 | 730921101006 | ASHARUDHEEN V | / | / | / | / | / | a | / | / |
| 60 | 730921101007 | AZARUDDIN R | / | / | / | / | / | / | / | / |
| 61 | 730921101008 | BALAJI S | / | / | / | / | / | / | / | / |
| 62 | 730921101009 | BARATH P | / | / | / | / | / | / | / | / |
| 63 | 730921101010 | BHUVAN A | / | / | / | / | / | / | / | / |
| 64 | 730921101011 | CHHOTU KUMAR MUKHIYA | / | / | / | / | / | / | / | / |
| 65 | 730921101013 | EVANGELINE CHRISTINA J | / | / | / | / | / | / | / | / |
| 66 | 730921101014 | GOKUL M | / | / | / | / | / | / | / | / |
| 67 | 730921101015 | GOWTHAM K | / | / | / | / | / | / | / | / |
| 68 | 730921101016 | HARI KRISHNAN R | / | / | / | / | / | / | / | / |
| 69 | 730921101017 | HARISH P | / | / | / | / | / | / | / | / |
| 70 | 730921101018 | INAYATULLAH H | / | / | / | / | / | / | / | / |

| | | | | | | | | | | |
|-----|--------------|-----------------|---|---|---|---|---|---|---|---|
| 112 | 730921101066 | YASEEN KHAN | / | / | / | / | / | / | / | / |
| 113 | 730921101067 | YASWANTHKUMAR J | / | / | / | / | / | / | / | / |
| 114 | 730921101301 | SAMBASSIVAM R | / | / | / | / | / | / | / | / |
| 115 | 730919101005 | AJAIKISHORE T | / | / | / | / | / | / | / | / |
| 116 | 730919101022 | DHINESH S | / | / | / | / | / | / | / | / |
| 117 | 730919101023 | ELAVARASAN K | / | / | / | / | / | / | / | / |
| 118 | 730919101036 | JEEVANTHINI M | / | / | / | / | / | / | / | / |
| 119 | 730919101080 | RAMESH M | / | / | / | / | / | / | / | / |

AS
18/10/20

SP
18/10/20



EXCEL ENGINEERING COLLEGE

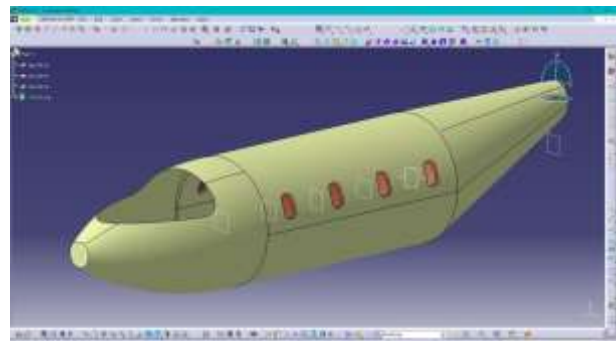
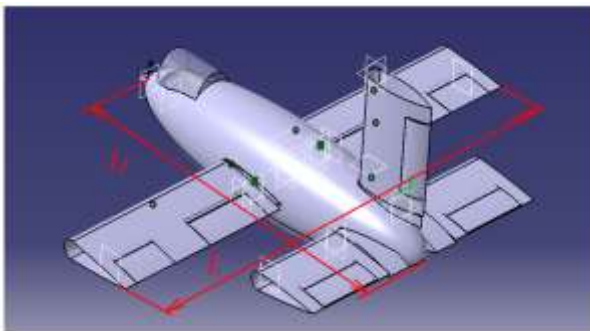
(Autonomous)

Approved by AICTE, New Delhi & Affiliated to Anna University, Chennai
Accredited by NBA, NAAC with "A+" and Recognised by UGC (2f &12B)
KOMARAPALAYAM - 637303

PHOTOS

Code: 22AVAC02

Title: Hands on Training on Design of Components of Aircraft Engine





EXCEL ENGINEERING COLLEGE

(Autonomous)

Approved by AICTE, New Delhi & Affiliated to Anna University, Chennai
Accredited by NBA(AERO,MECH,CSE & ECE), NAAC with "A+" and Recognised by UGC (2f & 12B)
KOMARAPALAYAM - 637303

TEST QUESTIONS

22AVAC02 – Hands on training on Design of components of Aircraft engine

Name: Ashutosb Kumar

1. Basic Catia V5: A part in Catia V5 has which suffix? .prt
2. Basic Catia V5: If you are missing a toolbar, what do you do? Right click
3. Part Design: When a new plane is created, where, in the specification tree, will it appear? — R
4. Part Design: What is a draft feature? — h
5. Sketcher: When work is finished, why is it a good idea to use Sketch analysis? to check the sketch
6. Drafting: How do you create your first view (Front view)? 3D view
7. Drafting: How do you see which drawing view is active? red frame
8. Drafting: When you create an exploded view, you usually use a tool called Enhanced Scene. Why? Product?
9. Assembly Design: When analyzing a component, Catia says it has 6 "degrees of freedom". What is the meaning of that? Space Component
10. Assembly Design: What is the name of the command that makes it possible to create an exploded view? Enhanced Command





EXCEL ENGINEERING COLLEGE

(Autonomous)

Approved by AICTE, New Delhi & Affiliated to Anna University, Chennai
Accredited by NBA(AERO,MECH, CSE & ECE), NAAC with "A+" and Recognised by UGC (2f &12B)
KOMARAPALAYAM - 637303

TEST QUESTIONS

22AVAC02 – Hands on training on Design of components of Aircraft engine

Name: *Yaseen Khan*

1. Basic Catia V5: A part in Catia V5 has which suffix? *.prt*
2. Basic Catia V5: If you are missing a toolbar, what do you do? *right click*
3. Part Design: When a new plane is created, where, in the specification tree, will it appear? *geometrical*
4. Part Design: What is a draft feature? *formed*
5. Sketcher: When work is finished, why is it a good idea to use Sketch analysis? *check the sketch*
6. Drafting: How do you create your first view (Front view)? *design*
7. Drafting: How do you see which drawing view is active? *red frame*
8. Drafting: When you create an exploded view, you usually use a tool called Enhanced Scene. Why? *master product - exploded view*
9. Assembly Design: When analyzing a component, Catia says it has 6 "degrees of freedom". What is the meaning of that? *space component*
10. Assembly Design: What is the name of the command that makes it possible to create an exploded view? *enhance*





EXCEL ENGINEERING COLLEGE

(Autonomous)

Approved by AICTE, New Delhi & Affiliated to Anna University, Chennai

Accredited by NBA (AERO, MECH, CSE & ECE), NAAC with "A+" and Recognised by UGC (2f & 12B)

KOMARAPALAYAM – 637303

22AVAC02 - Hands on Training on Design of Components of Aircraft Engine

Academic Year 2022-23

| S.No. | Register Number | Name | |
|-------|-----------------|---------------------------------|---------|
| 1 | 730920101001 | ABINESH S | EN 9 |
| 2 | 730920101002 | ABINESH U | 9 |
| 3 | 730920101003 | ADITYA SINGH | 8 |
| 4 | 730920101005 | AMAN ARYAN | 7 |
| 5 | 730920101007 | ASHIKA K V | 6 |
| 6 | 730920101008 | ASHUTOSH KUMAR | 6 |
| 7 | 730920101009 | BHUVANESH R | 5 |
| 8 | 730920101010 | CHITTALURU PRAVEEN | 6 |
| 9 | 730920101012 | GAJADHAR KUMAR SAHANI | 6 |
| 10 | 730920101013 | BALIJA CHAMAKURA GANESH CHANDRA | 5 |
| 11 | 730920101014 | GOWTHAM N | 9 |
| 12 | 730920101016 | JAGADEESH J | 8 |
| 13 | 730920101017 | KARTHIKEYAN S | 9 |
| 14 | 730920101018 | MAAZ AHMED NADEEM | 9 |
| 15 | 730920101019 | MAHADEVA SWAMY S | 5 |
| 16 | 730920101022 | MANIKANDA PRABHU M | 5 |
| 17 | 730920101023 | MANIKANDAN G | 9 |
| 18 | 730920101024 | MANIKANDAN S | 8 |
| 19 | 730920101026 | MANOHARAN D | 8 |
| 20 | 730920101027 | MOHAMMED MUTHEEB | 7 |
| 21 | 730920101028 | MUTHUKUMAR D | — AB — |
| 22 | 730920101029 | NAVANEETHAN M S | 7 |
| 23 | 730920101030 | NAVEENKUMAR A | 7 |
| 24 | 730920101032 | NISHA C | 8 |
| 25 | 730920101033 | NISHANTH S | 8 |
| 26 | 730920101034 | NITHARSAN R | 8 |
| 27 | 730920101035 | PRADEESH A C | 5 |
| 28 | 730920101036 | ROHIT KHUMUKCHAM | 5 |
| 29 | 730920101037 | SABARIVASAN M | 6 |
| 30 | 730920101038 | SAGAR KUMAR | 10 |
| 31 | 730920101039 | SAHAJ SABHARWAL | 10 |
| 32 | 730920101040 | SANDEEP RAJ | 9 |

| | | | |
|----|--------------|---------------------------|---|
| 33 | 730920101041 | SANTHAKUMAR P | 9 |
| 34 | 730920101043 | SAVARINATHAN K | 9 |
| 35 | 730920101044 | SHARMINI R | 8 |
| 36 | 730920101045 | SHIVAM RAJ | 7 |
| 37 | 730920101046 | SHUBHAM GAUTAM | 7 |
| 38 | 730920101047 | SIVASUBRAMANIYAN B | 6 |
| 39 | 730920101048 | SUGANTHI U | 6 |
| 40 | 730920101049 | SUSHIL SINGH | 5 |
| 41 | 730920101050 | TANVEER NADAF | 9 |
| 42 | 730920101051 | THARUNKUMAR L | 9 |
| 43 | 730920101052 | VENUGOPALAN N | 8 |
| 44 | 730920101053 | VIGNESH C | 7 |
| 45 | 730920101054 | VIGNESH T | 7 |
| 46 | 730920101055 | YOGESH A | 6 |
| 47 | 730920101302 | BHARATH J K | 5 |
| 48 | 730920101303 | JAGADEESH J | 5 |
| 49 | 730920101306 | MITHRA J A | 5 |
| 50 | 730920101307 | MOHANRAJ R | 5 |
| 51 | 730920101308 | NAVEENKUMAR R S | 7 |
| 52 | 730920101309 | NAVIN KUMAR S T | 7 |
| 53 | 730920101311 | SYED SOHAIL | 9 |
| 54 | 730920101501 | BOOPATHI S | 9 |
| 55 | 730920101502 | VIGNESH N | 9 |
| 56 | 730921101001 | ABDUL BAIZ BACKER KADAVIL | 9 |
| 57 | 730921101002 | ADARSH SHARMA | 9 |
| 58 | 730921101004 | ALWIN J | 9 |
| 59 | 730921101006 | ASHARUDHEEN V | 9 |
| 60 | 730921101007 | AZARUDDIN R | 9 |
| 61 | 730921101008 | BALAJI S | 9 |
| 62 | 730921101009 | BARATH P | 9 |
| 63 | 730921101010 | BHUVAN A | 9 |
| 64 | 730921101011 | CHHOTU KUMAR MUKHIYA | 9 |
| 65 | 730921101013 | EVANGELINE CHRISTINA J | 9 |
| 66 | 730921101014 | GOKUL M | 9 |
| 67 | 730921101015 | GOWTHAM K | 9 |
| 68 | 730921101016 | HARI KRISHNAN R | 9 |
| 69 | 730921101017 | HARISH P | 9 |
| 70 | 730921101018 | INAYATULLAH H | 9 |
| 71 | 730921101019 | JAYASEELAN J | 9 |
| 72 | 730921101020 | JEEVITHA S | 9 |
| 73 | 730921101021 | KALAIVANI C | 9 |
| 74 | 730921101022 | KALAIVANI M | 9 |
| 75 | 730921101023 | KAUSHAL RAJ BHATTARAI K | 9 |
| 76 | 730921101024 | KUMBARA RANGANATHA | 9 |

| | | | |
|-----|--------------|-------------------------|--------|
| 77 | 730921101025 | MALINI M | |
| 78 | 730921101026 | MANOJ KUMAR KOHAR | |
| 79 | 730921101027 | MD AFJAL ALI | |
| 80 | 730921101028 | MD ASGOR ALI F | |
| 81 | 730921101029 | MOHAMMAD JABEER | |
| 82 | 730921101030 | MOHAMMED FAIZAN Z | |
| 83 | 730921101031 | MOHAMMEDFAZIL FAZIL | |
| 84 | 730921101032 | MOHAMMED FUZAIL | |
| 85 | 730921101033 | MOHAMMED SUFIYAN S | |
| 86 | 730921101034 | MOHAMMED UMAR AINAN | |
| 87 | 730921101035 | MOHAMMED ZUBER | |
| 88 | 730921101037 | MOST UMME AYESHA | |
| 89 | 730921101038 | MUGILESH P | |
| 90 | 730921101039 | MUHAMMADI SUBIYA MAIRAJ | |
| 91 | 730921101041 | NIRAJAN KUMAR SAH | |
| 92 | 730921101042 | NITESH KUMAR | |
| 93 | 730921101043 | PRASANTH M | |
| 94 | 730921101044 | PRAVEEN KUMAR P | — AB — |
| 95 | 730921101045 | RAJ KISHORE SAHU | |
| 96 | 730921101046 | RAJEEV KUMAR RANJAN | |
| 97 | 730921101047 | RITIK KUMAR | |
| 98 | 730921101048 | ROHIT KUMAR | |
| 99 | 730921101049 | SAI VIGNESH S | |
| 100 | 730921101051 | SELVARAJ M | |
| 101 | 730921101054 | SHYAM HARI V.S | — AB — |
| 102 | 730921101055 | SIPENDRA KUMAR YADAV | |
| 103 | 730921101056 | SUCHITH S | |
| 104 | 730921101057 | SUDIPTA MAITI | |
| 105 | 730921101058 | SUHANA KHANUM | |
| 106 | 730921101059 | THANGADURAI RAJA C | |
| 107 | 730921101060 | UDHAYAKUMAR G | |
| 108 | 730921101061 | UMESH CHANDER S | |
| 109 | 730921101062 | VALANRAJ M | |
| 110 | 730921101063 | VARUN PRASATH S | |
| 111 | 730921101064 | VIGNESH R | |
| 112 | 730921101066 | YASEEN KHAN | |
| 113 | 730921101067 | YASWANTHKUMAR J | |
| 114 | 730921101301 | SAMBASSIVAM R | |
| 115 | 730919101005 | AJAIKISHORE T | |
| 116 | 730919101022 | DHINESH S | |
| 117 | 730919101023 | ELAVARASAN K | |
| 118 | 730919101036 | JEEVANTHINI M | |
| 119 | 730919101080 | RAMESH M | |



EXCEL ENGINEERING COLLEGE

(Autonomous)

Approved by AICTE, New Delhi & Affiliated to Anna University, Chennai
Accredited by NBA (AERO, MECH, CSE & ECE), NAAC with "A+" and Recognised by UGC (2f & 12B)
KOMARAPALAYAM - 637303

DEPARTMENT OF Aeronautical Engineering
ACADEMIC YEAR: 2022-2023

Indirect Assessment of Program Outcomes & Program Specific Outcomes through Curricular and Extracurricular Activities

Student Name : Rohit Kumar

Date: 18/10/22

Batch : 2021 - 20 25

Year/Semester: II / I

Type of Activity: Value added course / Industrial Visit / Implant Training / Guest Lecturer/ Seminar /

Conference / Workshop / Design Contest/ Project Contest / Sports / Games / Social Activities /

Certificate Program / Diploma Course /hackathon/ Ideathon / or any other _____

Organizing Institute: Excel Engineering College

Place: Aero Cad lab

Provide your level of attainment for the following questions by ✓ in the given

[3 / 2 / 1 Indicates Level of Attainment; 3 – Very Much, 2 – Moderate, 1 – Some Extent]

1. Does this Activity/ Course improve your Technical Skill?

3 2 1

2. Does this Activity /Course improve your Problem Solving Skill?

3 2 1

3. Does this training / Course improve your practical Exposure?

3 2 1

4. Have you learnt any modern tools through this activity/ training?

Yes No if yes name of tool Software

5. Does this activity /training useful to improve your professional ethics?

3 2 1

**EXCEL ENGINEERING COLLEGE****(Autonomous)**

Approved by AICTE, New Delhi & Affiliated to Anna University, Chennai
Accredited by NBA (AERO, MECH, CSE & ECE), NAAC with "A+" and Recognised by UGC (2f & 12B)
KOMARAPALAYAM - 637303

6. Does this activity /training useful to apply for any modern research programs?

3 2 1

7. Have you got any ideas to improve our environmental & social needs?

3 2 1

8. Have you ever felt that your communication skill & leadership skill has been improved through this activity?

3 2 1

9. Does this Activity / training useful to improve learning attitude with zeal?

3 2 1

10. Does this Activity /training useful for you to work in multi-disciplinary team?

3 2 1

11. Does this Activity /training improve your mind to face any changes in your life?

3 2 1

Any other Comments:

Few drawings are tough. But learnt some options.

Signature



EXCEL ENGINEERING COLLEGE

(Autonomous)

Approved by AICTE, New Delhi & Affiliated to Anna University, Chennai

Accredited by NBA (AERO, MECH, CSE & ECE), NAAC with "A+" and Recognised by UGC (2f & 12B)

KOMARAPALAYAM - 637303

DEPARTMENT OF Aeronautical Engineering

ACADEMIC YEAR: 2022 - 2023

Indirect Assessment of Program Outcomes & Program Specific Outcomes through Curricular and Extracurricular Activities

Student Name : Devarajatharan M.S

Date: 18/10/22

Batch : 2020-2024

Year/Semester: IV / E

Type of Activity: ~~Value added course~~ / Industrial Visit / Implant Training / Guest Lecturer / Seminar /

Conference / Workshop / Design Contest / Project Contest / Sports / Games / Social Activities /

Certificate Program / Diploma Course / hackathon / Ideathon / or any other _____

Organizing Institute:

Place:

Provide your level of attainment for the following questions by ✓ in the given

[3 / 2 / 1 Indicates Level of Attainment; 3 – Very Much, 2 – Moderate, 1 – Some Extent]

1. Does this Activity/ Course improve your Technical Skill?

3 2 1

2. Does this Activity /Course improve your Problem Solving Skill?

3 2 1

3. Does this training / Course improve your practical Exposure?

3 2 1

4. Have you learnt any modern tools through this activity/ training?

Yes No if yes name of tool CAE

5. Does this activity /training useful to improve your professional ethics?

3 2 1



EXCEL ENGINEERING COLLEGE (Autonomous)

Approved by AICTE, New Delhi & Affiliated to Anna University, Chennai
Accredited by NBA (AERO, MECH, CSE & ECE), NAAC with "A+" and Recognised by UGC (2f & 12B)
KOMARAPALAYAM - 637303

6. Does this activity /training useful to apply for any modern research programs?

3 2 1

7. Have you got any ideas to improve our environmental & social needs?

3 2 1

8. Have you ever felt that your communication skill & leadership skill has been improved through this activity?

3 2 1

9. Does this Activity / training useful to improve learning attitude with zeal?

3 2 1

10. Does this Activity /training useful for you to work in multi-disciplinary team?

3 2 1

11. Does this Activity /training improve your mind to face any changes in your life?

3 2 1

Any other Comments:

Good. But need time to make out the drawings


Signature



EXCEL ENGINEERING COLLEGE (Autonomous) *

Approved by AICTE, New Delhi & Affiliated to Anna University, Chennai
Accredited by NBA(AERO,MECH, CSE & ECE), NAAC with "A+" and Recognised by UGC (2f &12B)
KOMARAPALAYAM - 637303

22AVAC02 – Hands on training on design of components of Aircraft Engine SUMMARY REPORT

1. Faculties are given their own interest in conducting the course.
2. Many of the faculties also involved in the course.
3. Students learnt well and performed well in assessment.
4. Few students those not performed are separated and given time for them to complete.
5. Major complex drawings are given all the students to draw and draft.

Handwritten signature in red ink.

Handwritten signature in black ink.
21/10/2022



Excel[®] ENGINEERING COLLEGE (AUTONOMOUS)

Approved by AICTE, New Delhi & Affiliated to Anna University, Chennai

Accredited by **NBA** (AERO, MECH, CSE & ECE), **NAAC** (A⁺ Grade - 3.26) and **Recognized by UGC** (2f & 12B)

NH-544, Komarapalayam Tk., Namakkal Dt. - 637303, Tamil Nadu, INDIA, www.excelinstitutions.com

Certificate

This is to certify that **Ms.Suganthi U**, Excel Engineering College has participated and successfully completed **Value Added Course on 22AVAC02 - Hands on training on Design of Components of Aircraft Engine** conducted by Department of Aeronautical Engineering from **12.10.2022 to 15.10.2023.**

COORDINATOR

HoD

PRINCIPAL



Excel[®] ENGINEERING COLLEGE (AUTONOMOUS)

Approved by AICTE, New Delhi & Affiliated to Anna University, Chennai

Accredited by **NBA** (AERO, MECH, CSE & ECE), **NAAC** (A⁺ Grade - 3.26) and **Recognized by UGC** (2f & 12B)

NH-544, Komarapalayam Tk., Namakkal Dt. - 637303, Tamil Nadu, INDIA, www.excelinstitutions.com

Certificate

This is to certify that **Ms. Jeevanthini M, Excel Engineering College** has participated and successfully completed **Value Added Course on 22AVAC02 - Hands on training on Design of Components of Aircraft Engine** conducted by Department of Aeronautical Engineering from **12.10.2022 to 15.10.2023.**

COORDINATOR

HoD

PRINCIPAL